



# Maintenance, Specifications and Installation Instructions For Range Hood Liners



## TABLE OF CONTENTS

---

	Page
1. Introduction .....	3
2. Specifications .....	3
3. Installation instructions .....	5
4. Lighting .....	6
5. Power requirements .....	8
6. Controls .....	8
7. Filters .....	10
8. Cleaning and care recommendations .....	10
9. Warranty information .....	11



## 1. Introduction:

---

Everyone at Integrated Metal Systems, LLC would like to thank you for choosing our **e·vents**™ brand kitchen exhaust hoods and systems. We appreciate your purchase and know that our product will help you gain a new appreciation for your new cooking environment.

There has been a building trend in our current culture lead by a small, but very sophisticated clientele who have discovered the health and social benefits of meal preparation in their own gourmet kitchens. An integral part of these gourmet kitchens are the exhaust hoods which are a beautiful architectural feature used to remove air borne contaminants, odors and heat to make a more comfortable and healthful environment in the food preparation area of their kitchens.

Our **e·vents**™ range hoods are designed, fabricated and installed with the highest quality by the most talented craftsmen in the industry, you simply can't find the same value, dollar for dollar, by any other manufacturer in the market today.

Again, thank you for choosing our products. We sincerely hope that you will enjoy the difference our products can make in you culinary experience.

## 2. Specifications:

---

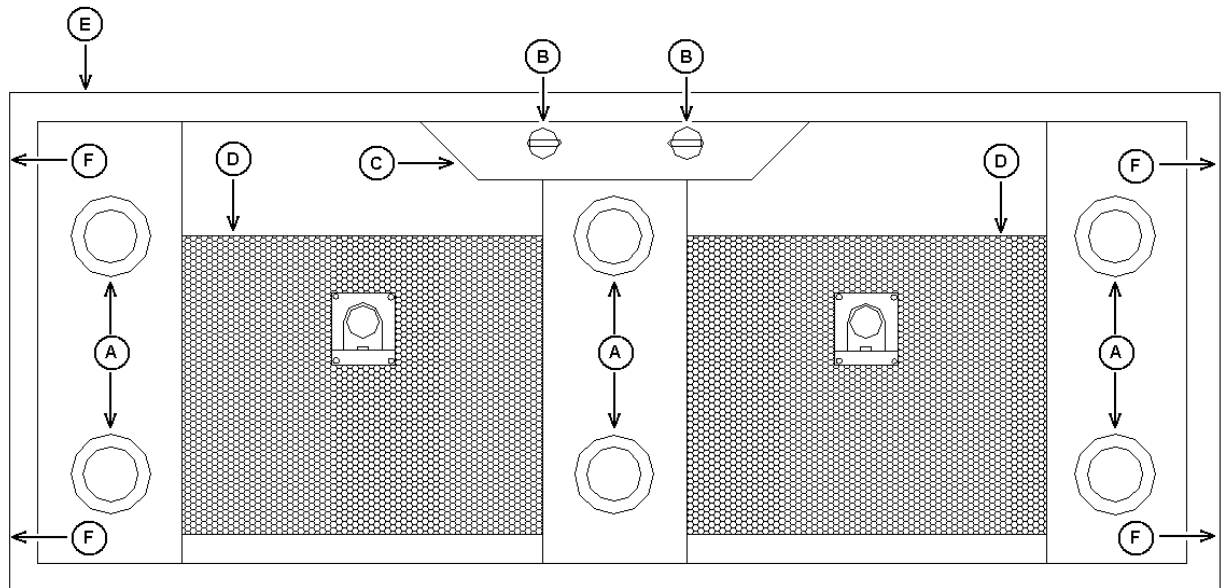
All though most of our hood liners are custom manufactured to customer requirements, below are some standard features that we build into all of **e·vents**™ hood liners:

- The hood liners are fabricated from 18 gauge, 304 stainless steel with a #4 polish, which gives it a fine stain brushed finish.
- There is a small 3/4" "lip" around the perimeter of the liner to keep any condensation or grease that may form in extreme circumstances from dripping onto your cook surface, this "lip" is easily wiped down during normal cleaning maintenance.
- Low voltage halogen lighting in a "Gimbel Ring" type flush mount fixture. The fixture allows you to swivel your lights at about a 30 degree angle, and spin the fixture 180 degrees in each direction allowing you to adjust/aim your lighting to suit your taste or needs. The halogen light is included with a 35 watt, MR11 bulb that is available at most home builders supply stores. A built in, 120V/12V NEC class II fused electronic transformer is standard.
- Infinitely variable motor speed and lighting controls with full wave phase control circuitry, RFI filters, minimum speed trim and built in on/off line switch.
- All controls/wiring are easily accessible from a removable cover inside the liner and the liner itself is completely removable with just four screws.
- Easily removed filters that are constructed of a solid welded stainless steel frame with a perforated stainless steel cover. The 5/8" thick filter media is consisted of multiple layers of aluminum silted material. The frames and filter media are completely dishwasher safe for ease of cleaning.
- Simple installation. Our liners are factory wired with a standard 120 volt grounded male plug. Just plug into a provided receptacle and your hood is fully powered and switched. For fan power taps, a standard 120V female receptacle is provided on the top of the liner, just have a qualified electrician provide a standard 120V male power cord from the fan, and plug the fan directly into the liner. The liner attaches to your substrate or one of our custom "bonnets" with four simple screw connections.

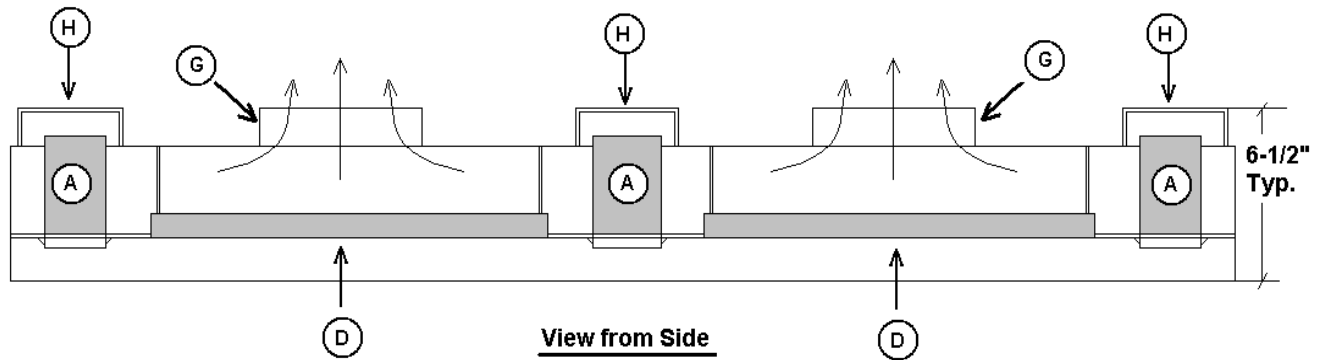
 **e·vents**™ Range Hoods

632-B W. Vermijo St., Colorado Springs, CO 80905  
PH: 719.632.4659 FAX: 719.632.4177

**2. Specifications (continued):**



**View from Bottom**



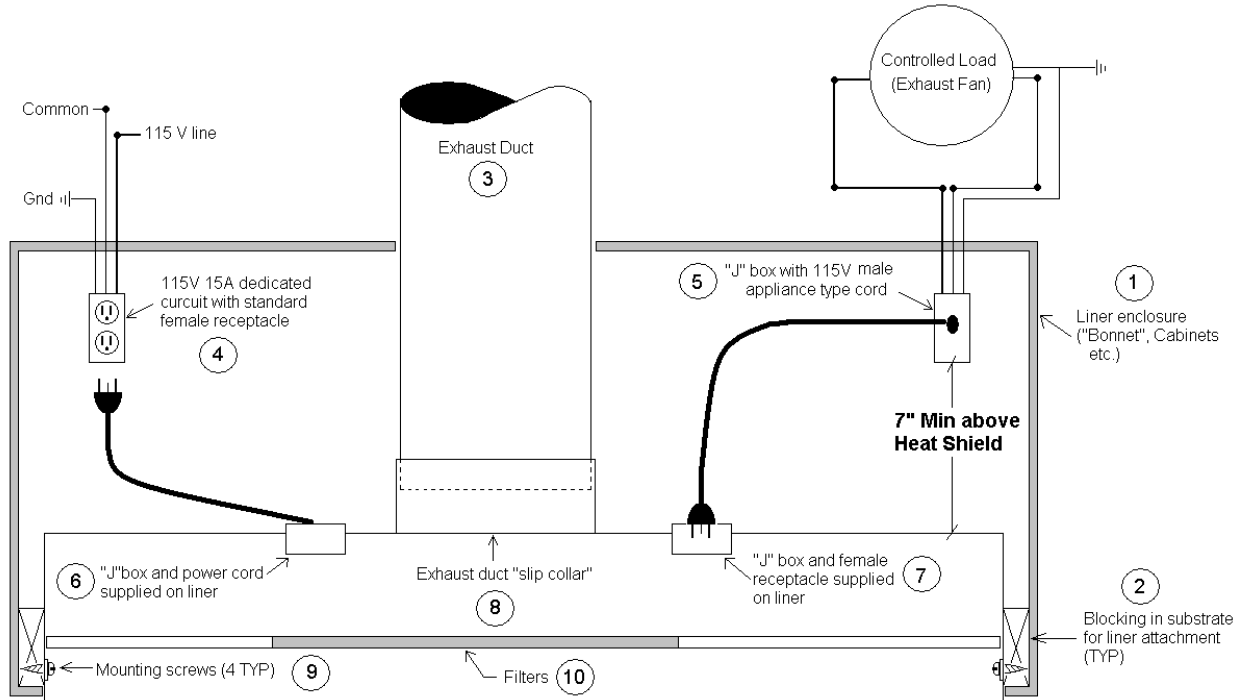
**View from Side**

- A:** Lighting. See chapter 4 for more information.
- B:** Fan and Light Controls. See chapter 6 for more information.
- C:** Control Housing. See chapters 3 and 6 for more information.
- D:** Filters. See chapter 7 for more information.
- E:** Liner Frame. See chapter 6 for more information.
- F:** Mounting Screw Locations. See chapter 6 for more information.
- G:** 10 inch diameter Exhaust Fan Slip Collar. See Chapter 3 for more details.
- H:** Light Fixture Heat Shield.

### 3. Installation instructions:

Follow steps 1 through 10 below. Use Illustration 1 for reference.

**Illustration 1**



1. Fabricate an enclosure with the appropriate rough in openings to accommodate liner. Oversize rough in opening for liner 1/16" larger than actual liner dimensions. Allow a minimum depth above liner filter enclosure to facilitate the installation of required power supplies (4 and 5) and installation of slip collar (8) over existing exhaust duct (3) a minimum of 7" above the slip collar and heat shields to the bottom of the "J" box cover plate. Remove filters (10) from filter rack. Verify enclosure construction, electrical receptacles and venting for conformance to local code jurisdictions.
2. Install blocking inside the enclosure on a minimum of two sides for attachment of mounting screws (9).
3. Check venting/ducting (3) and ensure that it is properly sized and installed per local codes. Ensure that duct is located exactly centerline with the liners slip collar (8). Check for any obstructions or construction debris and ensure the ducting is clean prior to installation. Integrated Metal Systems recommends Broan/Nutone manufactured exhaust fans as follows:

CFM Requirements	Broan M/N	Fan duct Collar*	Liner duct Collar
0-600	331	10"	10"
601-900	332	10"	10"
901-1200	335	10"	10"
1201-1500	336	10"	10"

\* based on Manufacturers specifications as of 15-Aug-04

### 3. Installation instructions (continued):

---

- Any duct size reductions should only be done by qualified personnel according to local codes. Integrated Metal Systems, e-vents or Broan/Nutone will not be responsible for equipment damage as a result of improper duct size reductions.
4. Block liner at a height above cook surface that will allow reach inside of enclosure. Plug the male power cord (6) supplied on the liner into the 115V line voltage receptacle as provided by an electrician.
  5. An electrician needs to supply a minimum 36" male power cord (5) from a junction box inside the enclosure ensuring that the length is adequate to reach outside of the enclosure and connect to the receptacle provided on the liner (7). Plug the controlled load plug (5) into the receptacle on the liner (7).
  6. Visually inspect electrical connections on male power cord (6) and liner "J" box, and female receptacle (4) for damage.
  7. Visually inspect electrical connections on liner receptacle (7) and fan control cord (5) for damage.
  8. If all the steps above prove to be within code requirements and there is not any apparent damage then lift the liner up into the enclosure rough in, push all electrical cords up into enclosure ensuring that the cords are not in direct contact with lights, sharp edges or any other obstruction that could cause damage or shorten the life expectancy of the electrical cords. Lift liner up until the slip collar is in contact with the exhaust duct. Verify that the duct and collar line up, and then continue lifting the liner into place so that the slip collar slides over the outside of the exhaust duct.
  9. Continue lifting liner up until the liner is at the desired surface reveal with the enclosure. Typically the liner protrudes below the edge of the enclosure between 1/8-1/4". When the liner is in a satisfactory position, drive 4 screws (9) through the pre drilled holes inside the liner into the provided blocking (2).
  10. After all steps above are complete, seal duct connection with appropriate sealant if required by local codes, then replace the filters (10) into the rack.

### 4. Lighting:

---



**Manufacturer/Series/Model:** Nora Lighting, Inc. Solutions series, Model; NM-245, 12V 50W max.

- ⓘ **Adjustment:** Lights are fully adjustable to direct the light for your task orientation. Simply rotate the trim ring/bezel 180 degrees in either a clock-wise or counter clock-wise direction. In addition, the light reflector swivels linearly 30 degrees.
- ⓘ **Bulb change:** Refer to illustration 2 for parts description. 1: Disconnect power source. 2: Remove lens retaining clip. 3: Remove glass lens cover. 4: Lower bulb/reflector from swivel ring. 5: Unplug bulb from female socket connection. 6: Re-assemble in reverse order. NOTE: *Do not touch the halogen bulb with your fingers; skin oils will reduce life expectancy of the bulb.*
- ⓘ **Dimming:** The halogen lights are fully dimmable from 0-100% power output with a positive off position. NOTE: *It is recommended that you operate your lights for 100 consecutive hours at full power prior to dimming in order to set lamp seals. This will maximize lamp life.*

 Range Hoods

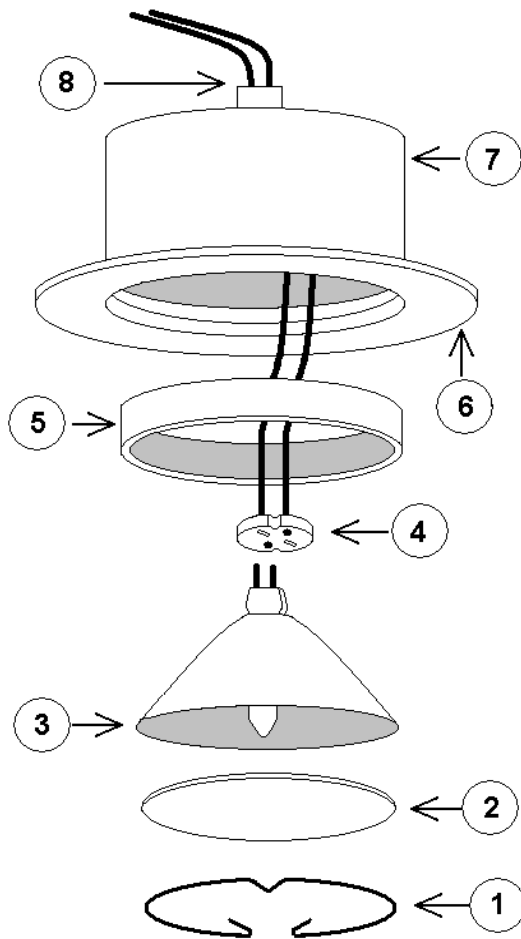
632-B W. Vermijo St., Colorado Springs, CO 80905  
PH: 719.632.4659 FAX: 719.632.4177

## 4. Lighting (continued):

---

### Parts Description

Illustration 2



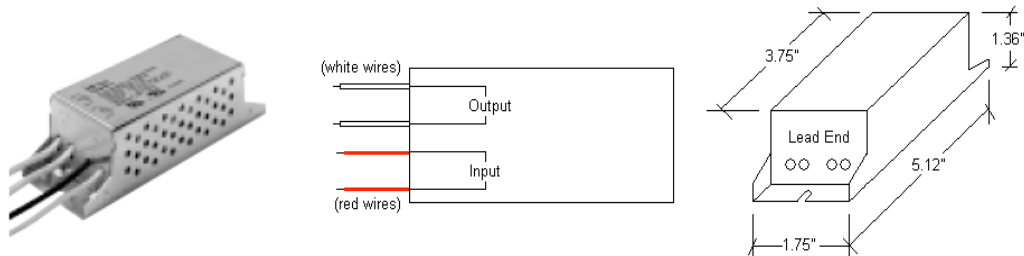
1. Lens cover retaining clip
2. Lens cover
3. Integral MR11 bulb and parabolic reflector
4. Female bulb connection socket
5. Swivel ring
6. Trim ring/bezel
7. Light fixture housing
8. Electrical leads

## 5. Power requirements:

- ⌚ A minimum 15 amp, 115 volt, 60 hertz circuit is required for the operation of the hood liner *and* a maximum 120V, 6 Full Load Ampere exhaust fan. Use only copper wire. A time delay fuse or circuit breaker and a dedicated circuit are recommended.

## 6. Controls:

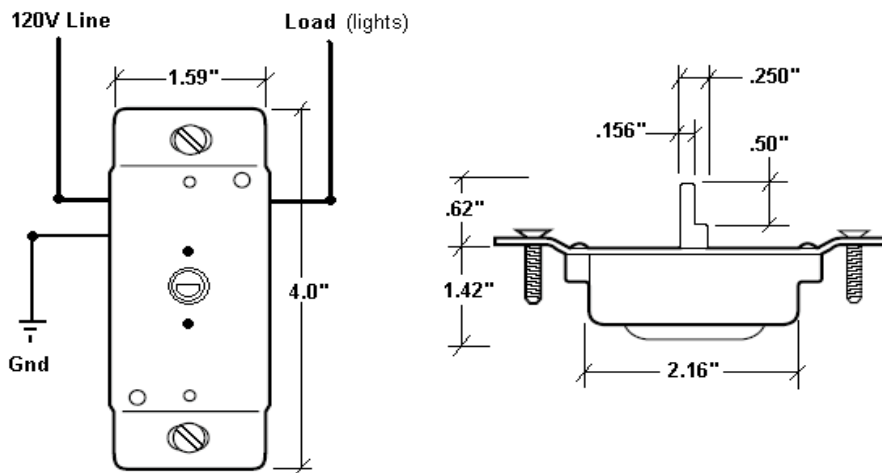
### Halogen Light Electronic Transformer:



**Manufacturer/Model:** Nora Lighting, Inc. Model: NET-150.

**Specifications:** Input: 120VAC, 50/60Hz. Output: AC 12V/150W max.

### Halogen Light Dimmer:

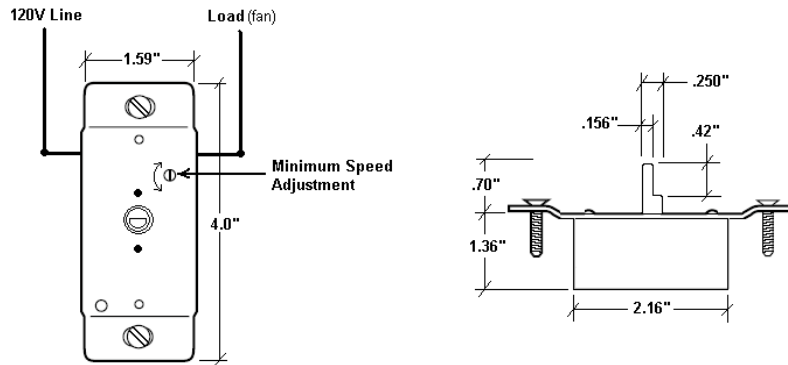


**Manufacturer/Series/Model:** Levitron Mfg. Co., Inc., "Trimatron", M/N 6602-IW.

**Specifications:** Single pole rotary dimmer with positive off position, 0-100% power range. 120VAC, 50 Hz 600W max. Built in RFI filter. 1/4" - "D" style knob shaft for push on knob.

## 6. Controls (continued):

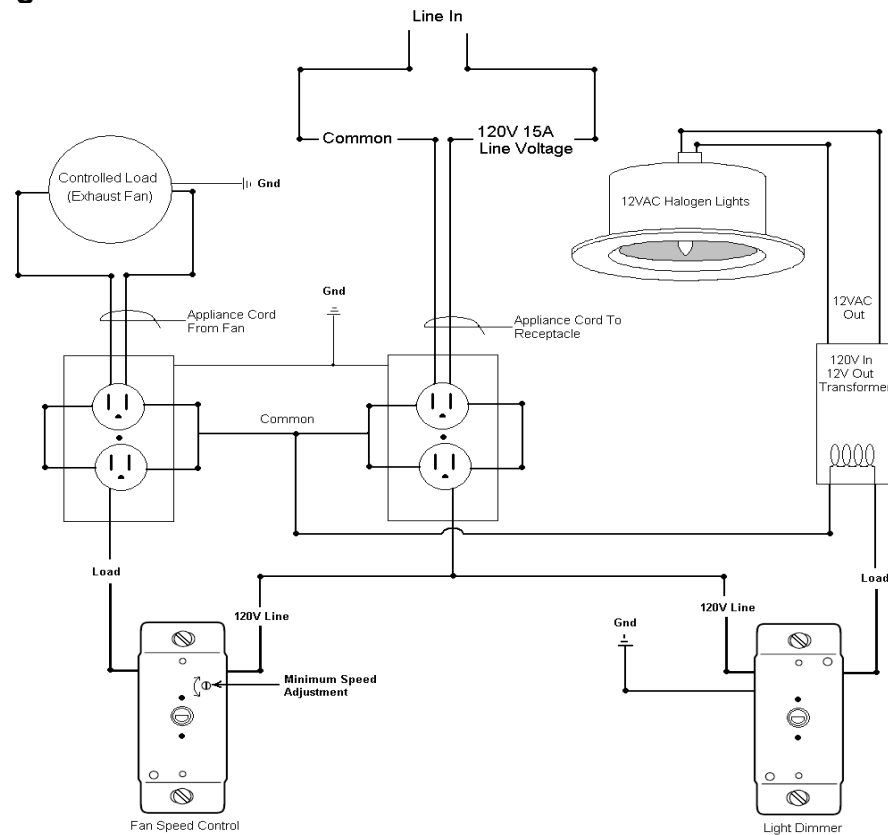
### Fan Speed Control:



**Manufacturer/Model:** KB Electronics, Inc. M/N KBWC-16

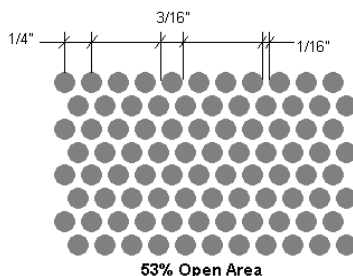
**Specifications:** Solid state Variable speed AC motor controller with positive off position, 0-100% power range. 120VAC, 6.0 FLA, 14.5 LRA, Built in RFI filter and minimum speed trim adjustment. 1/4" - "D" style knob shaft for push on knob.

### Wiring Schematic:



## 7. Filters:

---



**Assembly Manufacturer:** Integrated Metal Systems, LLC

**Filter Media Manufacturer/Type:** Smith Filter Corp. Bonded "A"

**Specifications:** Frame: 304 stainless steel with a media cover of 22 gauge perforated stainless steel with .36" round staggered holes, .25" centers, with a 53% open area.

Media: Many layers of bonded baffled mesh aluminum to create a solid pad. Retains 204 grams of dust per 2.25 sq. ft., holding capacity of 90.8 grams per for with average arrestants of 71.5%.

Resistance when clean is .04 wg at 350 FPM.

**Handle:**

## 8. Cleaning and care recommendations:

---

1. Stainless Steel Hood Liner: Clean with a mild soap and water, or a mild stainless steel cleaner with a soft rag. Recommended products are: CERAMA BRYTE™ stainless steel appliance cleaner and CERAMA BRYTE™ stainless steel cleaning polish and conditioner. Both products are available at most common building centers such as LOWES™ and HOME DEPOT™.
2. Filters: Wash frame and filters together with a mild dish soap and sprayer. Also safe in an automatic dishwasher with common mild dish soap.
3. Light lens and trim ring/bezel: Use a mild glass cleaner and a soft rag. If lens is removed, do not spray any cleaning agents or water into reflector or contact halogen bulb. Do not contact halogen bulb with your fingers, skin oils can reduce the life expectancy of the bulb.

**Note:** As with all aluminum, a strong alkali detergent should never be used.

**DISCLAIMER:** All information contained in this manual are guidelines only, please check with your local building codes for compliance. Integrated Metal Systems, LLC reserves the right to change materials parts, specifications, design or any other application at any time without notice. Please refer to Broan/Nutone for any up to date exhaust fan technical specifications at: <http://www.broan.com/>

## 9. Warranty Information:

All of our **e·vents**™ hood liners carry a one year warranty for normal usage on all parts, materials and workmanship for a period of one year from date of purchase.

Please fill out the warranty registration below and mail to:  
Integrated Metal Systems, LLC. 623-B W. Vermijo St. Colorado Springs, CO 80905. Ph. 888.632.4659

Cut out

<input type="radio"/> Mr.	First Name	Street Address
<input type="radio"/> Mrs.		
<input type="radio"/> Ms.	Last Name	City, State and Zip
<input type="radio"/> Miss		
Date of Purchase		Product Price Paid (excluding tax)
Type of store where purchased:		What <u>one</u> factor most influenced your purchase
<input type="radio"/> Internet	<input type="radio"/> Mail Order Catalog	<input type="radio"/> Magazine Ad
<input type="radio"/> Appliance Store	<input type="radio"/> General Contractor	<input type="radio"/> Friend's Recommendation
<input type="radio"/> Dealer	<input type="radio"/> Direct Purchase	<input type="radio"/> Salesperson's Recommendation
Which of the following describes your purchase of (Product)?		<input type="radio"/> In-Store Display
<input type="radio"/> First Time Buyer		<input type="radio"/> Previous Ownership
<input type="radio"/> Repeat Purchaser		<input type="radio"/> Other
Which group describes your annual family income:		Do you have any children living at home in any of the following age groups?
<input type="radio"/> Under \$40,000		<input type="radio"/> None
<input type="radio"/> \$40,000-\$54,999		<input type="radio"/> Baby to Age 1
<input type="radio"/> \$55,000-\$69,999		<input type="radio"/> Age 2-4
<input type="radio"/> \$70,000-\$84,999		<input type="radio"/> Age 5-7
<input type="radio"/> \$85,000-\$99,999		<input type="radio"/> Age 8-10
<input type="radio"/> \$100,000-\$114,999		<input type="radio"/> Age 11-12
<input type="radio"/> \$115,000-\$129,999		<input type="radio"/> Age 13-18
<input type="radio"/> \$130,000-\$149,999		Marital Status:
<input type="radio"/> \$150,000 & over		<input type="radio"/> Married
For your primary residence, do you:		<input type="radio"/> Divorced/Separated
<input type="radio"/> Own a house?		<input type="radio"/> Widowed
<input type="radio"/> Own a townhouse or condominium?		<input type="radio"/> Single/Never Married

**e·vents**™ Range Hoods

632-B W. Vermijo St., Colorado Springs, CO 80905  
PH: 719.632.4659 FAX: 719.632.4177